

# Acoustic panels MODUS



### **Modern way to reduce noise spectrum**

Acoustic panels system allows the optimization of working conditions and quality in modern office.

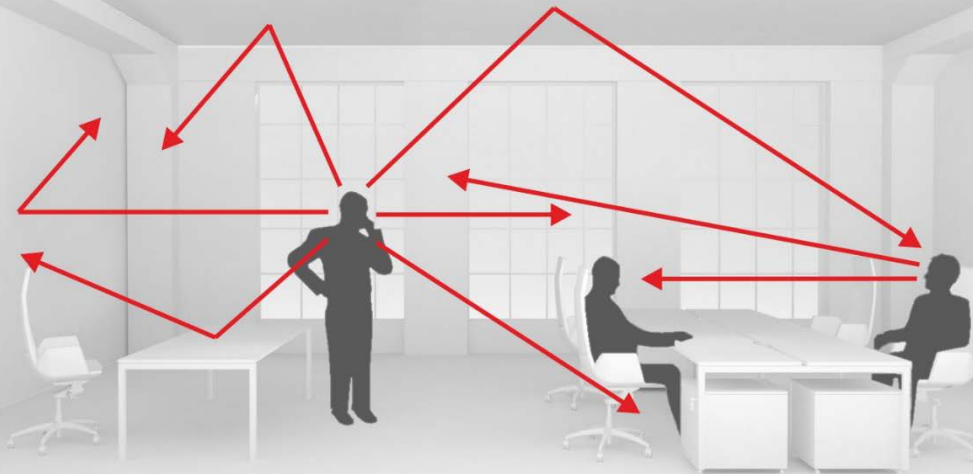
Using modular panel system provides:

- effective sound absorption;
- zones division;
- visually attractive interior fulfillment.

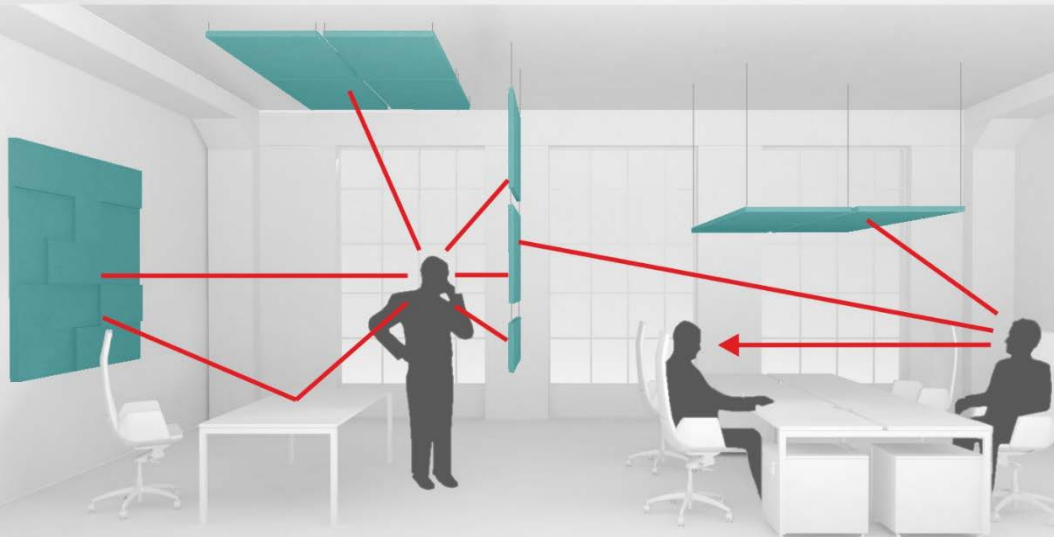
### Noise control

The main function of acoustic panels is to minimize sound reflection (echo) and noise, improving the acoustic comfort.

Special patented and certified material (acoustic fleece) which effectively absorbs the sound, is used inside of the acoustic panels.

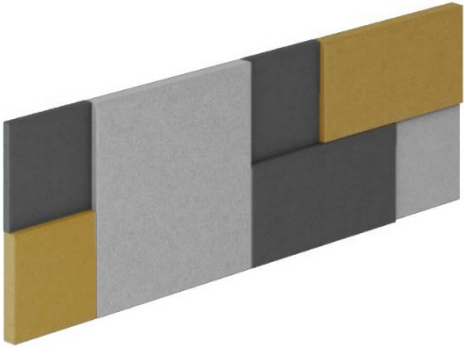
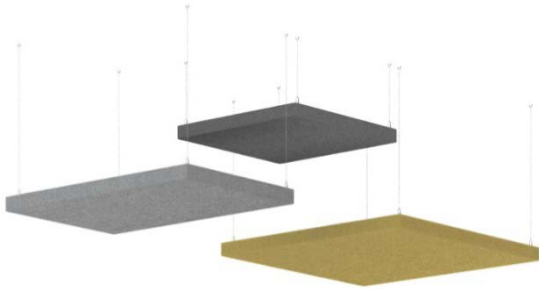



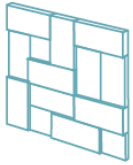
Sound dispersion without acoustic panels



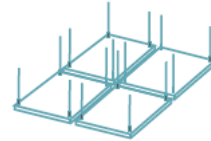
Sound dispersion with acoustic panels

Acoustic panels are divided into wall, ceiling (horizontal) and ceiling (vertical, double-sided).

<b>Wall panels</b>	<b>Ceiling (horizontal) panels</b>	<b>Ceiling (vertical, double-sided) panels</b>
		
<ul style="list-style-type: none"><li>▪ Attached to the wall;</li></ul>	<ul style="list-style-type: none"><li>▪ Fixed to the ceiling - height adjustable;</li></ul>	<ul style="list-style-type: none"><li>▪ Fixed to the ceiling - height adjustable;</li><li>▪ Divides office areas;</li><li>▪ Two different fabric colors may be applied on one panel;</li></ul>



## Wall and ceiling (horizontal) panels



**H=40 mm**

**H=70 mm**

400x400 **APU040**  
 400x800 **APU041**  
 400x1200 **APU042**

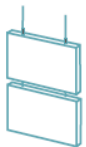
400x400 **APU070**  
 400x800 **APU071**  
 400x1200 **APU072**

800x800 **APU043**  
 800x1200 **APU044**

800x800 **APU073**  
 800x1200 **APU074**

1200x1200 **APU045**

1200x1200 **APU075**

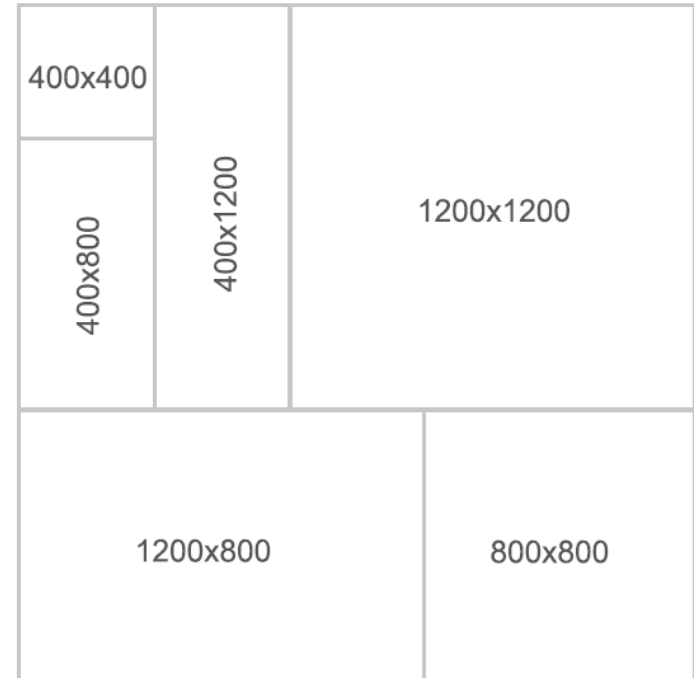


## Ceiling panels (vertical, double-sided)

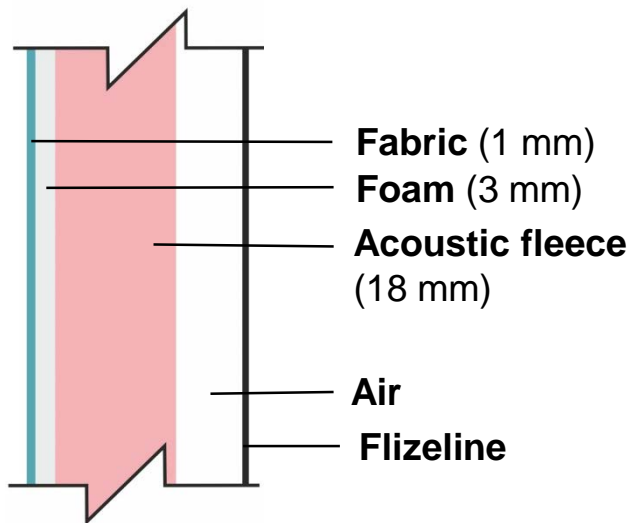
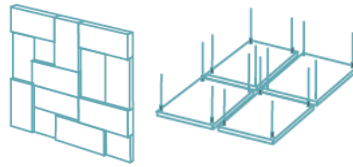
**H=46 mm**

1200x400 **APU046**  
 1200x800 **APU082**

## Available sizes (mm)

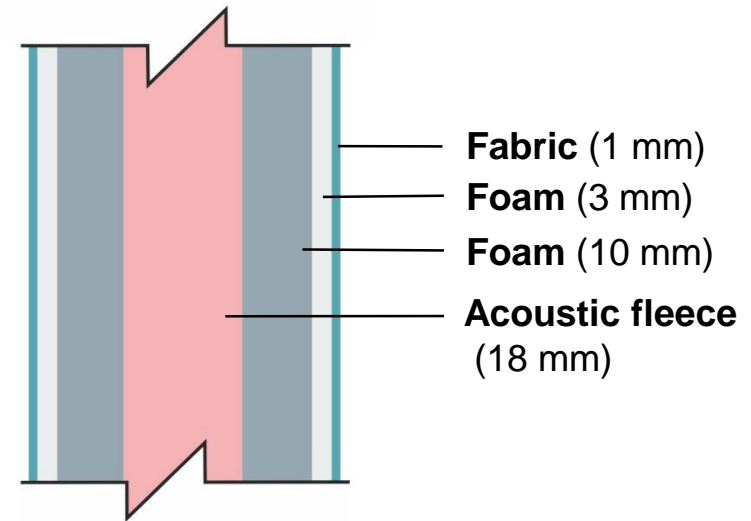
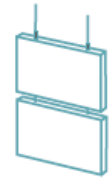


### Wall and ceiling (horizontal) panel cut



Frame is made of plywood (30 mm)

### Ceiling (vertical, double-sided) panel cut



The frame is made of plywood (18 mm)

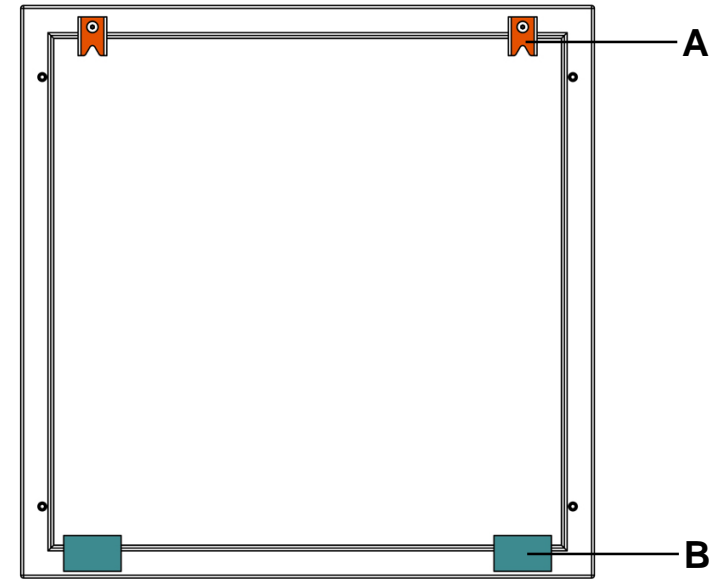
### Wall panels fittings

**A** - drilled (2 pcs screwed in the upper part of panel)

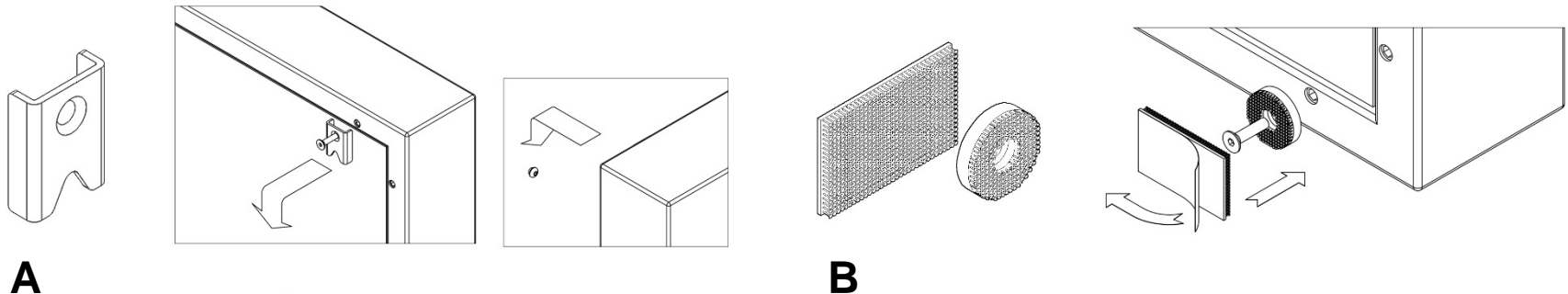
**B** - adhesive (2 pcs affixed on the bottom part of panel)



APU047



### Fixing scheme



It is recommended to use adhesive (B) fittings (4 pcs) in order to mount acoustic panels quicker.

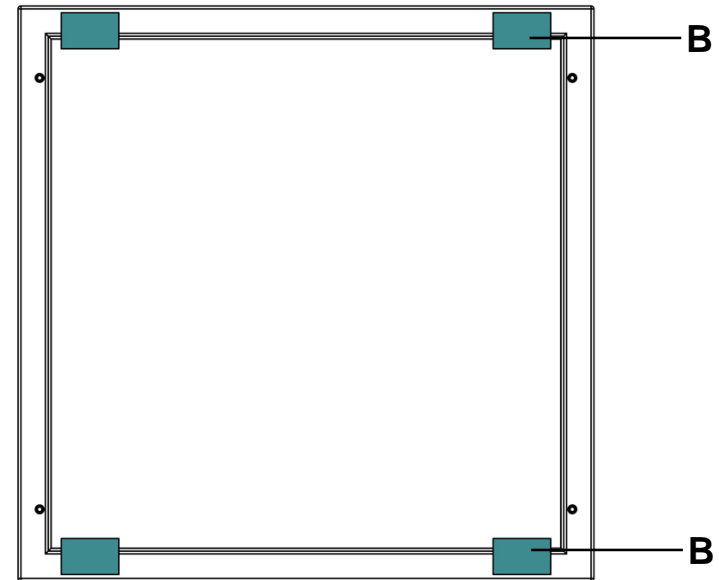
Adhesive (B) fittings are used with the following surfaces:

- metal (steel, stainless steel, aluminum);
- Plexiglas, glass;
- plastic (acrylic, phenol, nylon, polyester, PVC, polycarbonate, ABS);
- suitable for painted wall surfaces only APU040, APU070, APU041, APU071 panels.

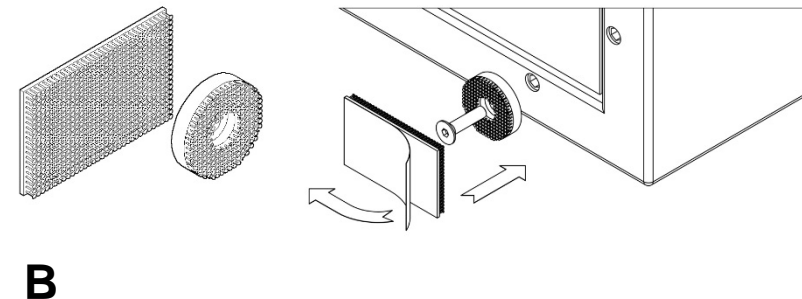
**! Not suitable for panel APU075.**



APU048



### Fixing scheme





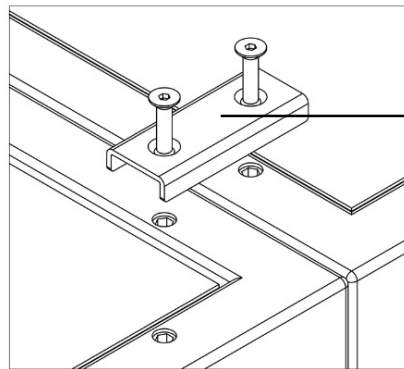
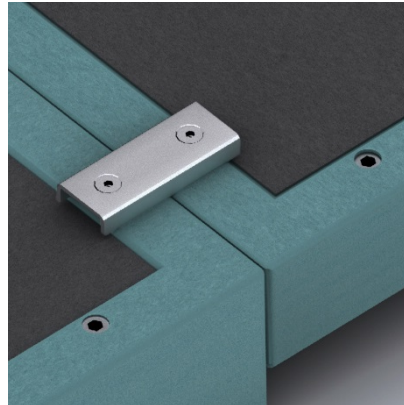
### Linking parts

It is recommended to use linking parts (2 pcs) to mount panel combinations easier and quicker.

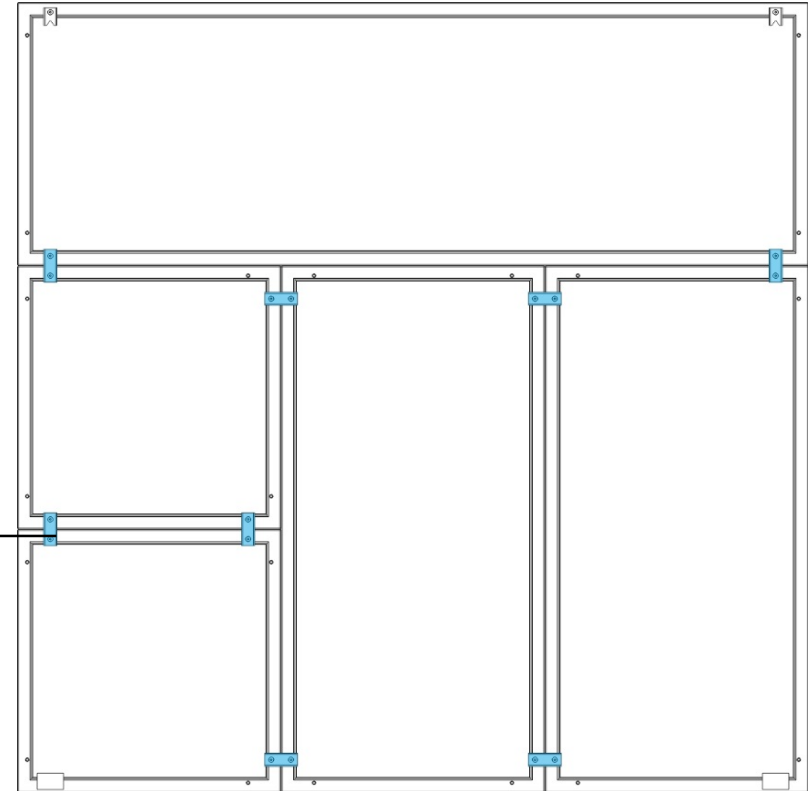


**APU049**

**\* Do not use with adhesive fittings B (APU048)**

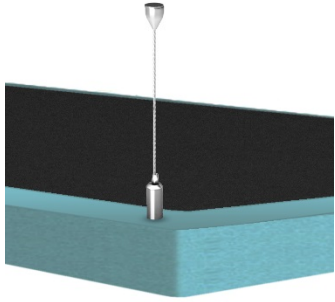


### Fixing scheme



Maximum recommended combination area 2,6 sq. m.

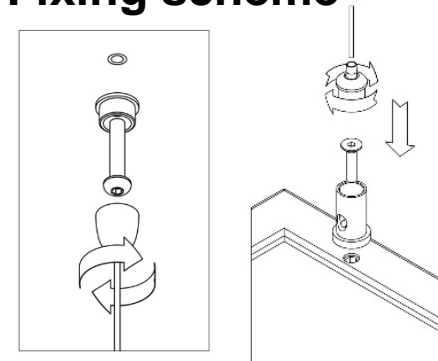
### Ceiling panel fittings



Ceiling (horizontal) panels suspension set for masonry/gypsum (4 pcs., adjustable wire rope length 50-1200/3000mm)

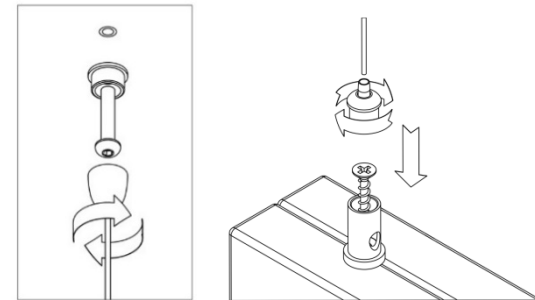
**APU050 / APU51**

### Fixing scheme



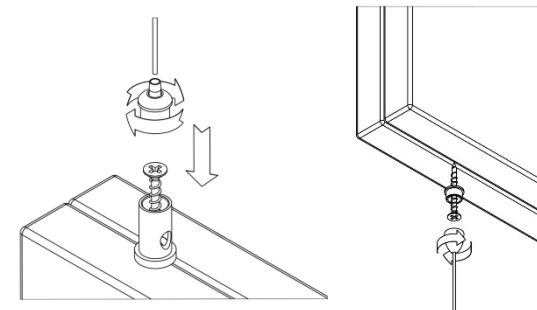
Ceiling (vertical, double-sided) panels suspension set for masonry/gypsum (4 pcs., adjustable wire rope length 50-1200mm). Recommended hanging off more than 4 units APU046 or 2 units APU082.

**APU076**



Ceiling (vertical, double-sided) panels suspension set for interconnect (4 pcs., adjustable wire rope length 50-1200/3000mm)

**APU077 / APU078**

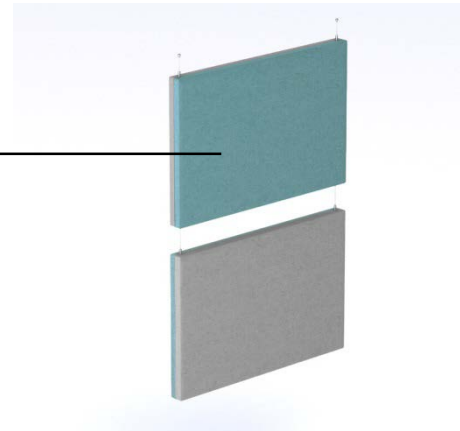
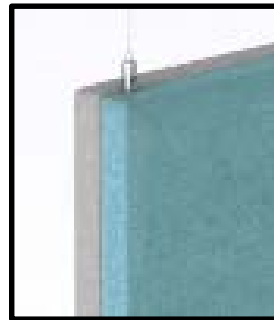
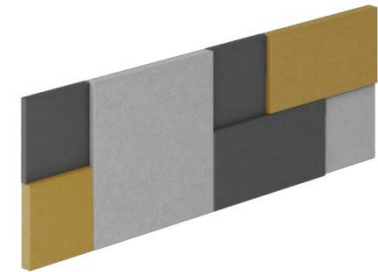
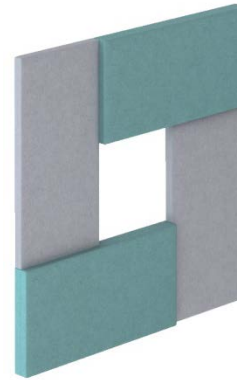
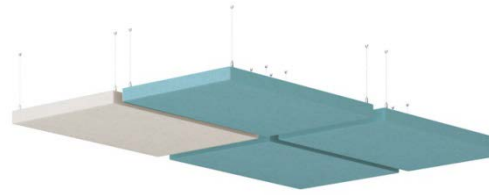


The modular panel system is not just a technical - acoustic sound absorbing equipment, but also interior design detail. Combining panels in different sizes, depths and colors together, creates division and fulfilment of interior spaces.



The possibility to vary the panels:

- sizes;
- heights;
- positions (horizontal, vertical);
- different fabric colors in panel combinations;
- 2 color fabric combinations in vertical panes.



## Lucia



## Velito presto



## Blazer Lite



**Production terms - 3 weeks.**

2014.01.19